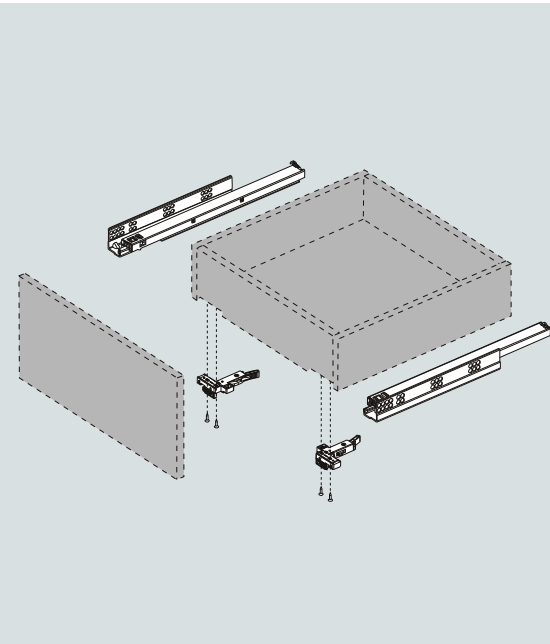
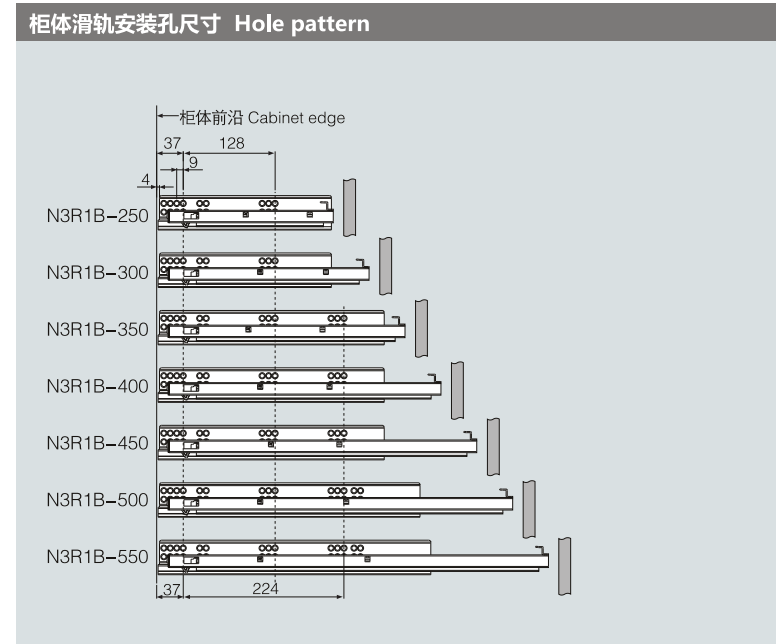
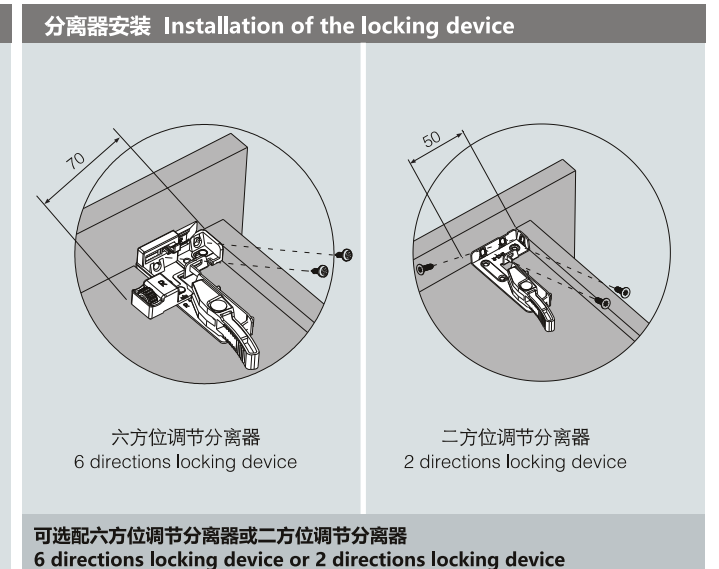
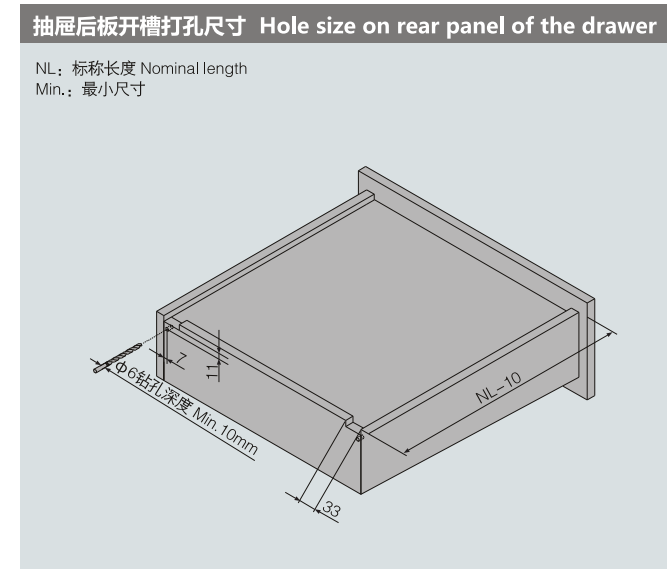
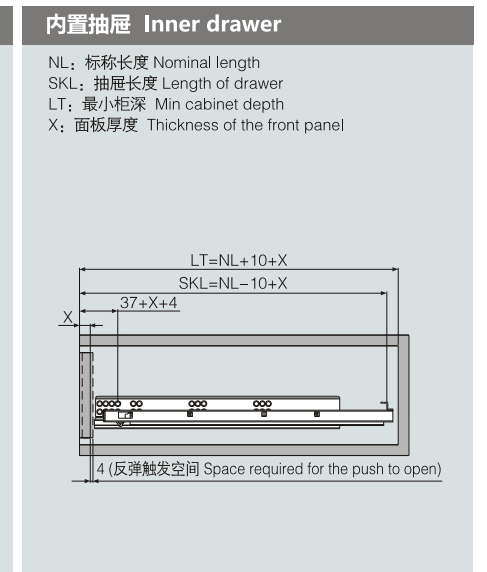
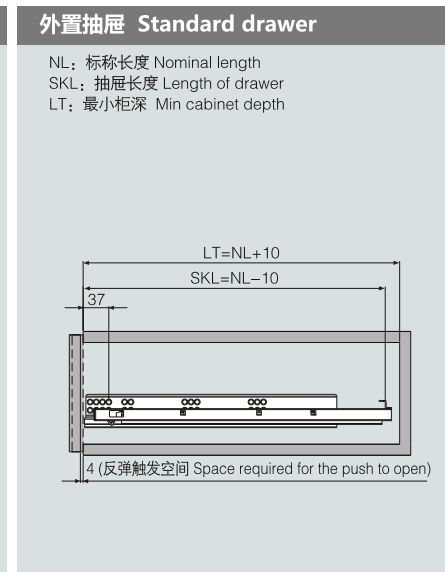
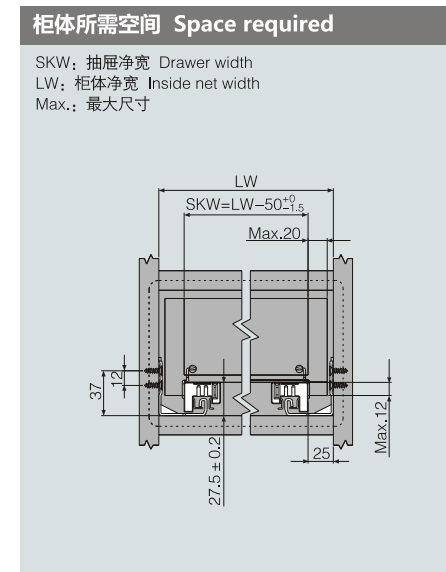


可选二方位调节分离器 2 directions locking device
 六方位调节分离器 6 directions locking device

- 隐藏式、全拉出、反弹式
- 载重: 35kg
- 材料: 镀锌板
- 材料厚度(上、中、下)轨: 1.0x1.5x1.8mm
- 无需工具, 抽屉可快速安装与拆卸
- 三维调节, 高度调节0~3mm, 左右调节±2mm, 前后调节0~4mm
- Push-open concealed full extension slide
- Dynamic load capacity: 35kg
- Material: galvanized steel
- Material thickness: 1.0x1.5x1.8mm
- Tool-free quick installation
- 6-way adjustment, 0~3mm highly, ±2mm left and right, 0~4mm before and after



产品型号 Item No.	标称长度NL (mm) Nominal length	拉出长度 (mm) Travel length	最小柜深LT (mm) (外抽 / 内抽) Min cabinet depth (Standard / Inner)	包装 (套/箱) Packing (Set/Box)
N3R1B-250	250	229	260 / 260+X	10
N3R1B-300	300	279	310 / 310+X	10
N3R1B-350	350	329	360 / 360+X	10
N3R1B-400	400	379	410 / 410+X	10
N3R1B-450	450	429	460 / 460+X	10
N3R1B-500	500	479	510 / 510+X	10
N3R1B-550	550	529	560 / 560+X	10



装卸调试步骤说明 Installation instruction

滑轨安装 Installation of the slides

抽屉安装与调节 Installation of the drawer and adjustment

抽屉可通过旋转螺母来调节前后2mm
The drawer can be adjusted 2mm horizontally through nut

抽屉可通过调节块来调节高度2mm
The drawer can be adjusted 2mm vertically through the plastic adjustable parts

抽屉拆卸 Removal of the drawer

双手轻压扣把, 见箭头方向, 即可拆卸
Press the connect handle with your hands softly in the direction of the arrow, then remove the drawer