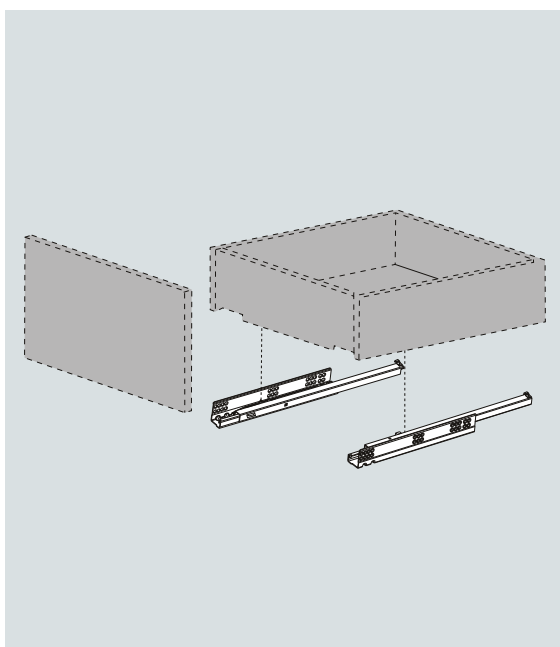
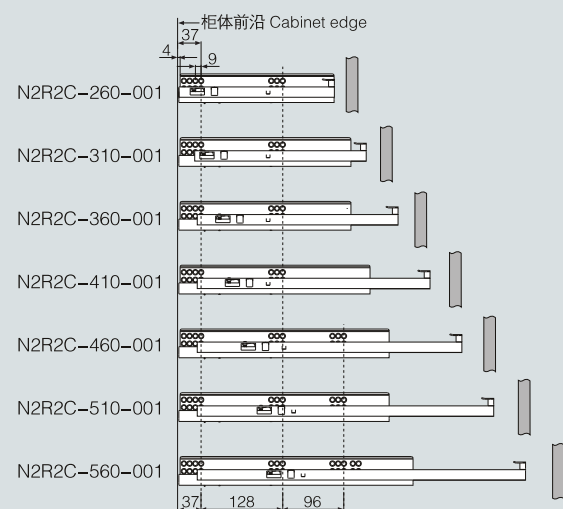


- 隐藏式、反弹式
- 载重: 25kg
- 材料: 镀锌板
- 材料厚度(上、下轨): 1.5x1.5mm
- 无需工具, 抽屉可快速安装与拆卸
- 抽屉高度可调节0-4mm
- Concealed, push-open
- Dynamic load capacity: 25kg
- Material: galvanized steel
- Material thickness: 1.5x1.5mm
- Tool-free quick installation
- Drawer height is adjustable for 0-4mm

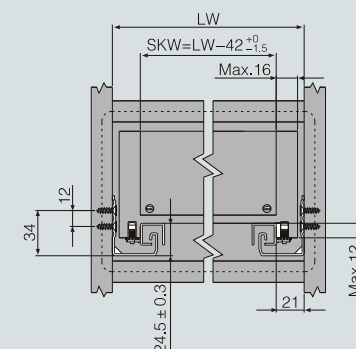
柜体滑轨安装孔尺寸 Hole pattern



产品型号 Item No.	标称长度NL (mm) Nominal length	拉出长度 (mm) Travel length	最小柜深LT (mm) (外抽 / 内抽) Min cabinet depth (Standard / Inner)	包装 (套/箱) Packing (Set/Box)
N2R2C-260-001	260	164	270 / 270+X	10
N2R2C-310-001	310	201	320 / 320+X	10
N2R2C-360-001	360	251	370 / 370+X	10
N2R2C-410-001	410	276	420 / 420+X	10
N2R2C-460-001	460	326	470 / 470+X	10
N2R2C-510-001	510	351	520 / 520+X	10
N2R2C-560-001	560	376	570 / 570+X	10

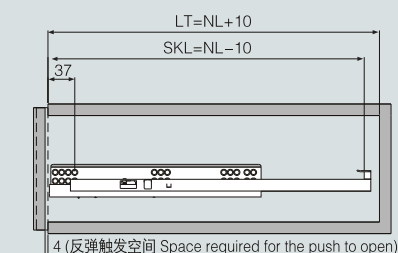
柜体所需空间 Space required

SKW: 抽屉净宽 Drawer width
LW: 柜体净宽 Inside net width
Max.: 最大尺寸



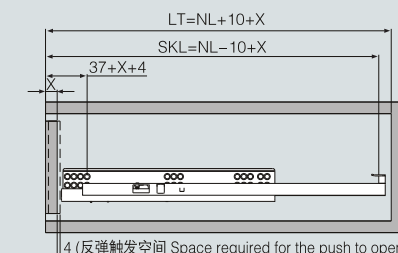
外置抽屉 Standard drawer

NL: 标称长度 Nominal length
SKL: 抽屉长度 Length of drawer
LT: 最小柜深 Min cabinet depth



内置抽屉 Inner drawer

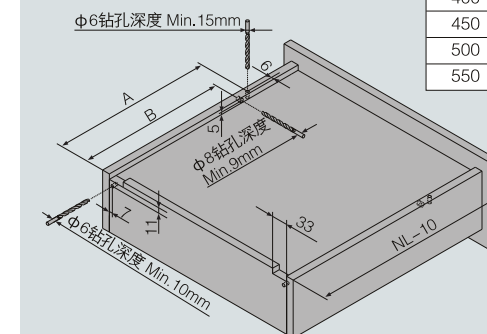
NL: 标称长度 Nominal length
SKL: 抽屉长度 Length of drawer
LT: 最小柜深 Min cabinet depth
X: 面板厚度 Thickness of the front panel



抽屉后板开槽打孔尺寸 Hole size on rear panel of the drawer

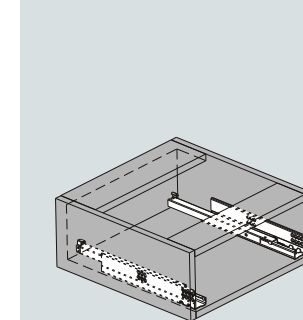
NL: 标称长度 Nominal length
Min.: 最小尺寸

NL (mm)	A (mm)	B (mm)
250	220	188
300	245	213
350	270	238
400	305	273
450	330	298
500	355	323
550	390	358

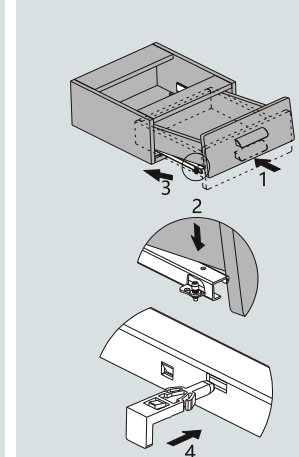


装卸调试步骤说明 Installation instruction

滑轨安装 Installation of the slides



抽屉安装 Installation of the drawer



抽屉调节 Drawer adjustment



抽屉拆卸 Removal of the drawer

