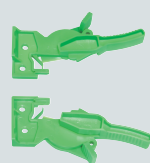


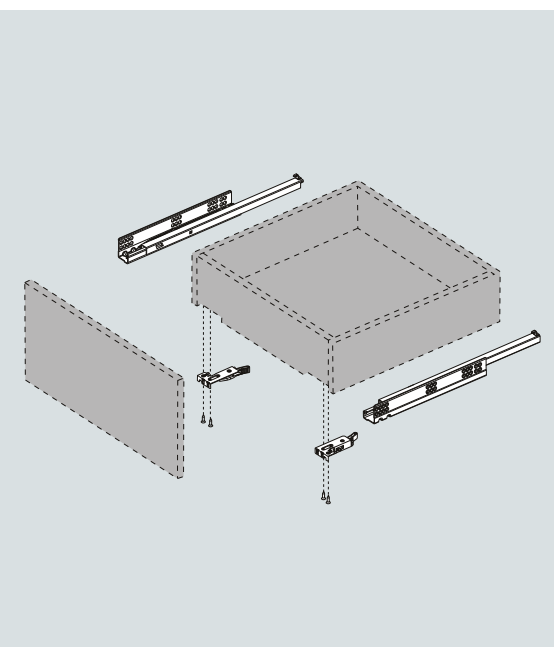
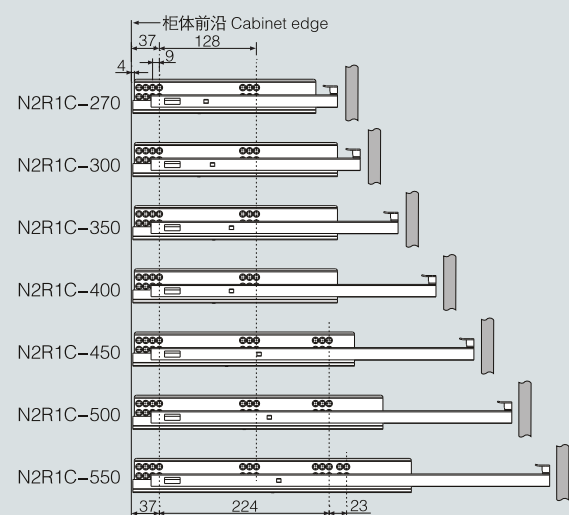
铁分离器 Iron Locking Device

- 隐藏式、反弹式
- 载重: 25kg
- 材料: 镀锌板
- 材料厚度(上、下轨): 1.5x1.5mm
- 无需工具, 抽屉可快速安装与拆卸
- 抽屉高度可调节0-2mm
- Concealed, push-open
- Dynamic load capacity: 25kg
- Material: galvanized steel
- Material thickness: 1.5x1.5mm
- Tool-free quick installation
- Drawer height is adjustable for 0-2mm



可选塑料分离器 Plastic Locking Device

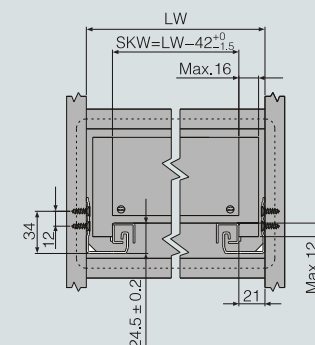
**柜体滑轨安装孔尺寸 Hole pattern**



产品型号 Item No.	标称长度NL (mm) Nominal Length	拉出长度 (mm) Travel length	最小柜深LT (mm) (外抽 / 内抽) Min cabinet depth (Standard / Inner)	包装 (套/箱) Packing (Set/Box)
N2R1C-270	270	187	280 / 280+X	10
N2R1C-300	300	204	310 / 310+X	10
N2R1C-350	350	254	360 / 360+X	10
N2R1C-400	400	279	410 / 410+X	10
N2R1C-450	450	328	460 / 460+X	10
N2R1C-500	500	354	510 / 510+X	10
N2R1C-550	550	379	560 / 560+X	10

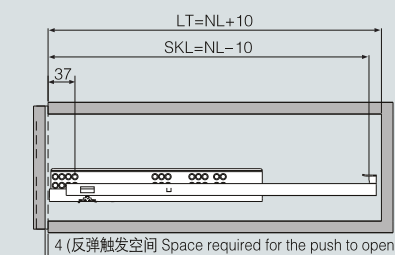
**柜体所需空间 Space required**

SKW: 抽屉净宽 Drawer width  
LW: 柜体净宽 Inside net width  
Max.: 最大尺寸



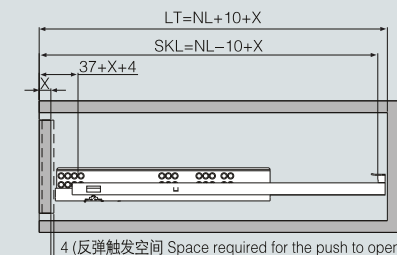
**外置抽屉 Standard drawer**

NL: 标称长度 Nominal length  
SKL: 抽屉长度 Length of drawer  
LT: 最小柜深 Min cabinet depth



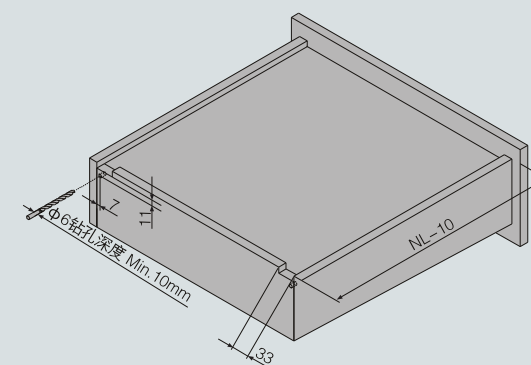
**内置抽屉 Inner drawer**

NL: 标称长度 Nominal length  
SKL: 抽屉长度 Length of drawer  
LT: 最小柜深 Min cabinet depth  
X: 面板厚度 Thickness of the front panel

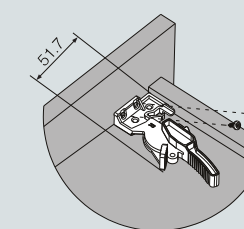


**抽屉后板开槽打孔尺寸 Hole size on rear panel of the drawer**

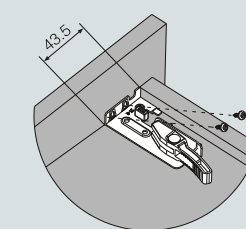
NL: 标称长度 Nominal length  
Min.: 最小尺寸



**分离器安装 Installation of the locking device**



塑料分离器  
Plastic locking device

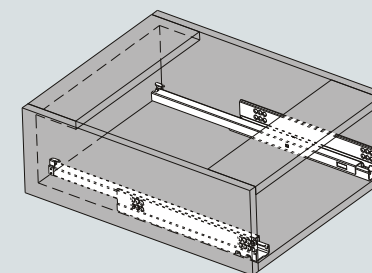


铁分离器  
Iron locking device

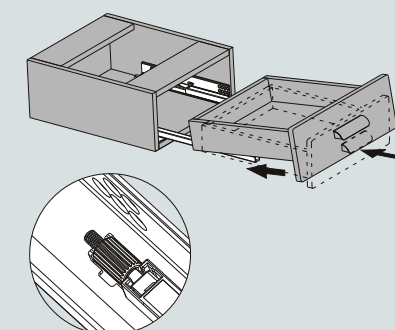
可选配塑料分离器或铁分离器  
Plastic locking device or Iron locking device

**装卸调试步骤说明 Installation instruction**

**滑轨安装 Installation of the slides**

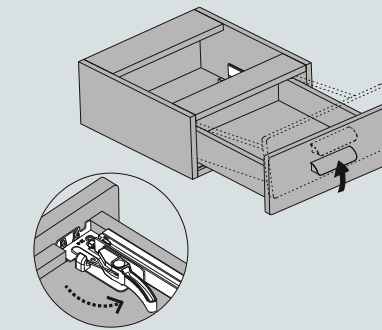


**抽屉安装与调节 Installation of the drawer and adjustment**



抽屉可通过旋转螺母来调节前后2mm  
The drawer can be adjusted 2mm horizontally through nut

**抽屉拆卸 Removal of the drawer**



双手轻压分离器, 见箭头方向, 即可拆卸  
Press the connect handle with your hands softly in the direction of the arrow, then remove the drawer