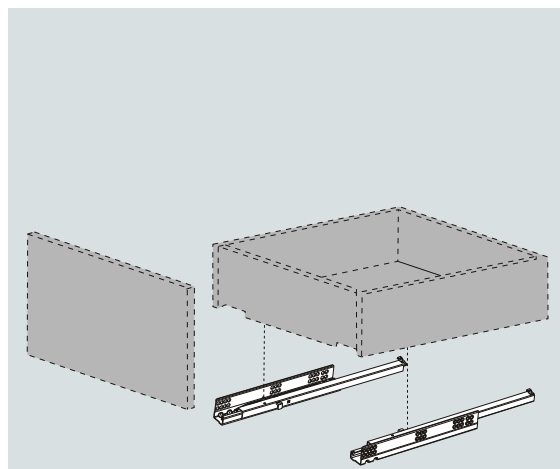
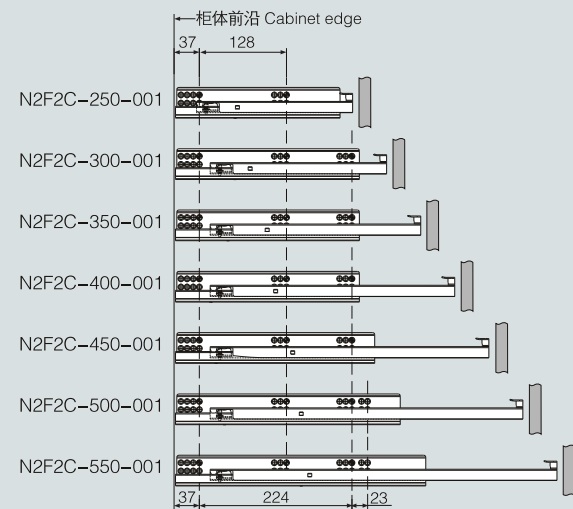


- 隐藏式、静音式
  - 载重: 25kg
  - 材料: 镀锌板
  - 材料厚度(上、下轨): 1.5x1.5mm
  - 无需工具, 抽屉可快速安装与拆卸
  - 静音系统, 滑轨运动顺畅
  - 抽屉高度可调节0-4mm
  - 缓冲功能 平缓关闭
- 
- Concealed, quiet movement
  - Dynamic load capacity: 25kg
  - Material: galvanized steel
  - Material thickness: 1.5x1.5mm
  - Tool-free quick installation
  - Quiet system guarantee the slide run smoothly without noise
  - Drawer height is adjustable for 0-4mm
  - Soft-closing function make the drawer close safely without effect of weight

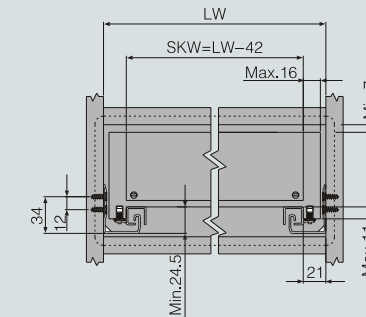
**柜体滑轨安装孔尺寸 Hole pattern**



产品型号 Item No.	标称长度NL (mm) Nominal Length	拉出长度 (mm) Travel length	最小柜深LT (mm) (外抽 / 内抽) Min cabinet depth (Standard / Inner)	包装 (套/箱) Packing (Set/Box)
N2F2C-250-001	250	167	260 / 260+X	10
N2F2C-300-001	300	204	310 / 310+X	10
N2F2C-350-001	350	254	360 / 360+X	10
N2F2C-400-001	400	279	410 / 410+X	10
N2F2C-450-001	450	328	460 / 460+X	10
N2F2C-500-001	500	354	510 / 510+X	10
N2F2C-550-001	550	379	560 / 560+X	10

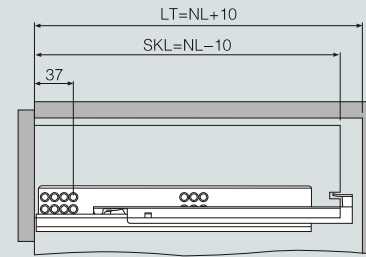
**柜体所需空间 Space required**

SKW: 抽屉净宽 Drawer width  
LW: 柜体净宽 Inside net width  
Max.: 最大尺寸  
Min.: 最小尺寸



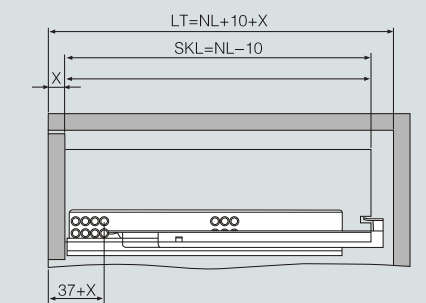
**外置抽屉 Standard drawer**

NL: 标称长度 Nominal length  
SKL: 抽屉长度 Length of drawer  
LT: 最小柜深 Min cabinet depth



**内置抽屉 Inner drawer**

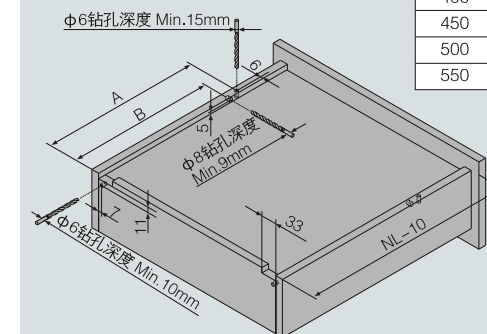
NL: 标称长度 Nominal length  
SKL: 抽屉长度 Length of drawer  
LT: 最小柜深 Min cabinet depth  
X: 面板厚度 Thickness of the front panel



**抽屉后板开槽打孔尺寸 Hole size on rear panel of the drawer**

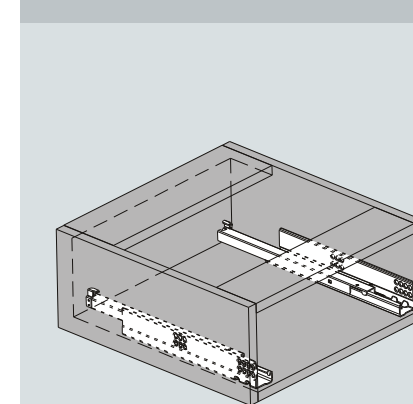
NL: 标称长度 Nominal length  
Min.: 最小尺寸

NL (mm)	A (mm)	B (mm)
250	220	188
300	245	213
350	270	238
400	305	273
450	330	298
500	355	323
550	390	358

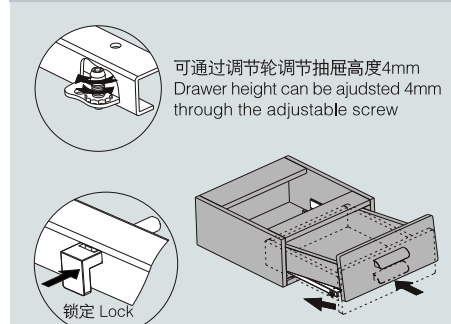


**装卸调试步骤说明 Installation instruction**

**滑轨安装 Installation of the slides**

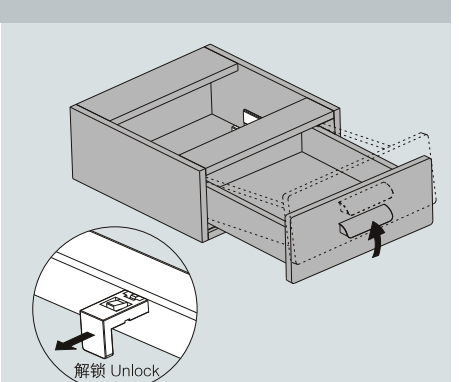


**抽屉安装与调节 Installation of the drawer and adjustment**



将滑轨全拉出, 插销解锁后(或留意下插销是否处于解锁状态), 把抽屉与滑轨上的定位块对准放下, 然后将插销锁定, 再将抽屉水平推入柜体, 抽屉即可关闭  
Fully open the slide, make sure the lock in the unlocked station, push the drawer down on the slides, then close the drawer.

**抽屉拆卸 Removal of the drawer**



将抽屉全拉出, 侧插销解锁后, 抽屉按箭头方向向上提, 即可拆卸。  
Fully pull out the drawer, then unlock the screw adjustment, dis-assembling the drawer by up lifting.