

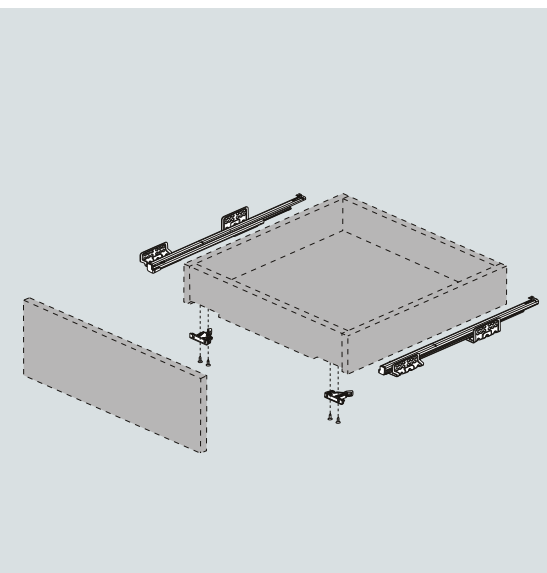
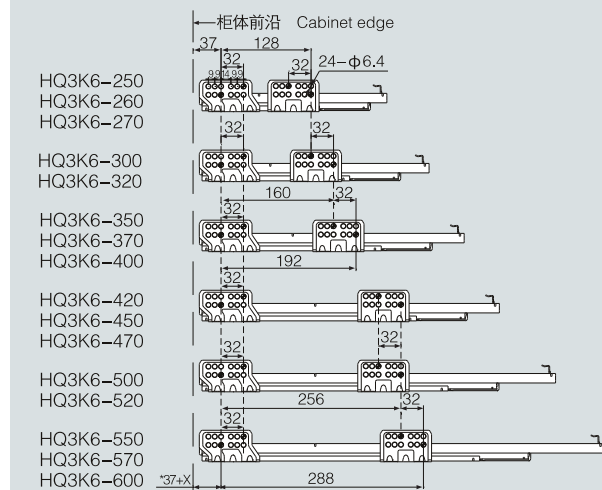
标配分离器 Locking Device (HQ3K6)

- 载重: 18kg
- 滑轨自动排除脏物功能, 无需维护
- 推入式安装; 只要把抽屉放在滑轨上, 往里推, 安装即完成
- 无需工具, 抽屉可快速安装和拆卸
- 有抽屉闭合锁定功能
- Dynamic load capacity: 18kg
- Push type installation, Put drawer on slides horizontally, push it closed, then assembling is finished
- Tool-free, quick installation
- With drawer lock function



选配分离器 Locking Device (HQ3K1)

柜体滑轨安装孔尺寸 Hole pattern



产品型号 Item No.	标称长度NL (mm) Nominal length	拉出长度 (mm) Travel length	最小柜深LT (mm) (外抽 / 内抽) Min cabinet depth (Standard / Inner)	包装(套/箱) Packing (Set/Box)
HQ3K6-250	250	242	265 / 265+X	10
HQ3K6-260	260	252	275 / 275+X	10
HQ3K6-270	270	262	285 / 285+X	10
HQ3K6-300	300	292	315 / 315+X	10
HQ3K6-320	320	312	335 / 335+X	10
HQ3K6-350	350	342	365 / 365+X	10
HQ3K6-370	370	362	385 / 385+X	10
HQ3K6-400	400	392	415 / 415+X	10
HQ3K6-420	420	412	435 / 435+X	10
HQ3K6-450	450	442	465 / 465+X	10
HQ3K6-470	470	462	485 / 485+X	10
HQ3K6-500	500	492	515 / 515+X	10
HQ3K6-520	520	512	535 / 535+X	10
HQ3K6-550	550	542	565 / 565+X	10
HQ3K6-570	570	562	585 / 585+X	10
HQ3K6-600	600	592	615 / 615+X	10

