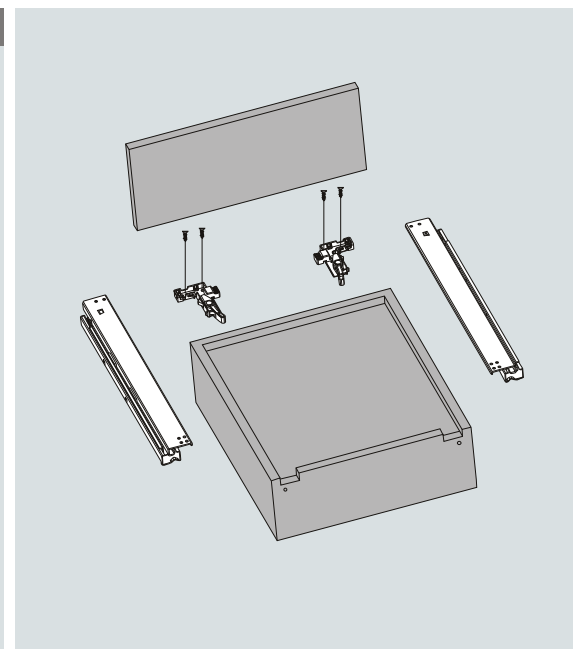
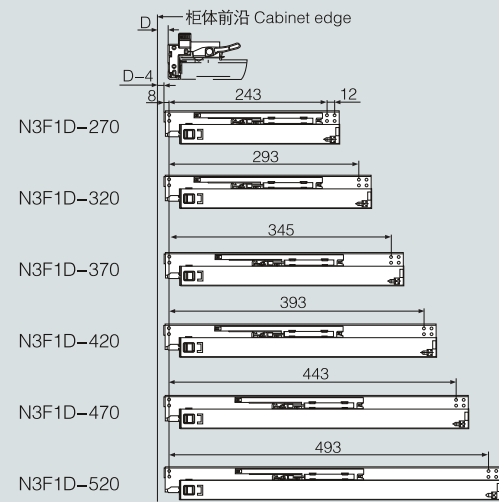


分离器 Locking Device

- 隐藏式、全拉出、静音式
- 载重: 35kg
- 材料: 镀锌板
- 材料厚度(上、中、下)轨: 1.0x1.5x1.8mm
- 无需工具, 抽屉可快速安装与拆卸
- 静音系统, 滑轨运动顺畅
- 三维调节, 高度调节0~3mm, 左右调节±2mm, 前后调节0~4mm
- 缓冲功能 平缓关闭
- Concealed, full extension, quiet movement
- Dynamic load capacity: 35kg
- Material: galvanized steel
- Material thickness: 1.0x1.5x1.8mm
- Tool-free quick installation
- Quiet system guarantees the slides run smoothly without noise
- 6-way adjustment, 0~3mm highly, ±2mm left and right, 0~4mm before and after
- Soft-closing function make the drawer close safely without effect of weight

柜体滑轨安装孔尺寸 Hole pattern

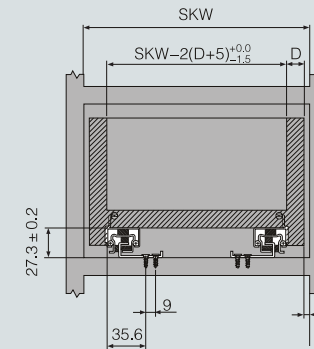
D: 自定义板厚 User defines board thickness



产品型号 Item No.	标称长度NL (mm) Nominal length	拉出长度 (mm) Travel length	最小柜深LT (mm) (外抽 / 内抽) Min cabinet depth (Standard / Inner)	包装 (套/箱) Packing (Set/Box)
N3F1D-270	250+D	250	276+D / 276+X+D	10
N3F1D-320	300+D	300	326+D / 326+X+D	10
N3F1D-370	350+D	350	376+D / 376+X+D	10
N3F1D-420-01	400+D	300	426+D / 426+X+D	10
N3F1D-420	400+D	400	426+D / 426+X+D	10
N3F1D-470	450+D	450	476+D / 476+X+D	10
N3F1D-520	500+D	500	526+D / 526+X+D	10

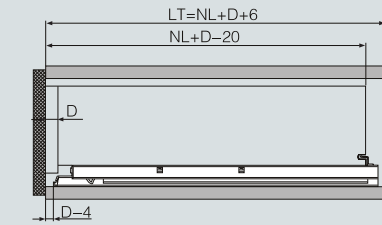
柜体所需空间 Space required

SKW: 抽屉净宽 Drawer width
D: 自定义板厚 User defines board thickness



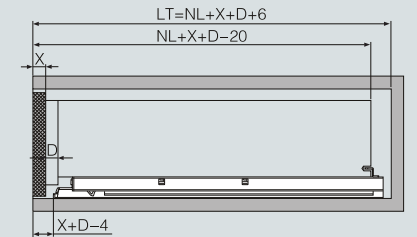
外置抽屉 Standard drawer

NL: 标称长度 Nominal length
D: 自定义板厚 User defines board thickness
LT: 最小柜深 Min cabinet depth(LT=NL+D+4)



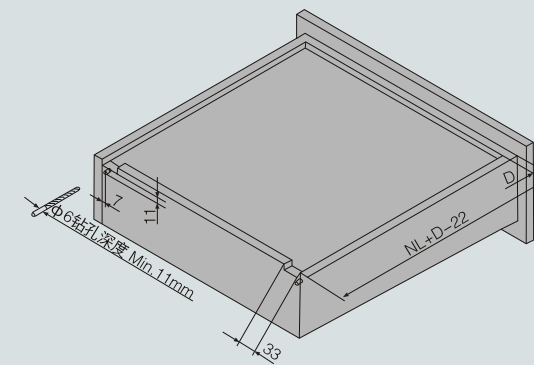
内置抽屉 Inner drawer

NL: 标称长度 Nominal length
LT: 最小柜深 Min cabinet depth
D: 自定义板厚 User defines board thickness
X: 面板厚度 Thickness of the front panel

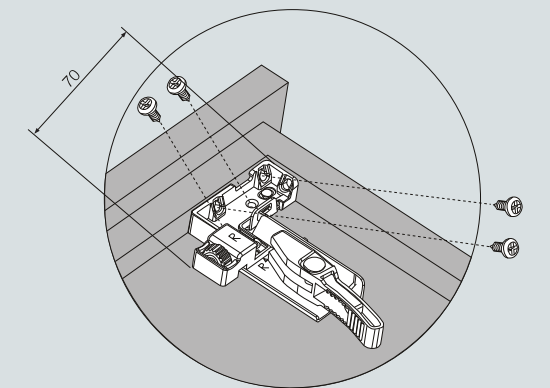


抽屉后板开槽打孔尺寸 Hole size on rear panel of the drawer

NL: 标称长度 Nominal length
Min.: 最小尺寸

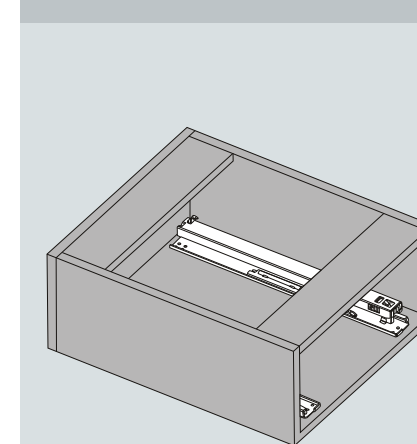


分离器安装 Installation of the locking device

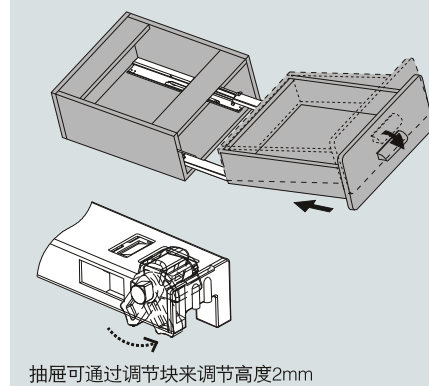


装卸调试步骤说明 Installation instruction

滑轨安装 Installation of the slides

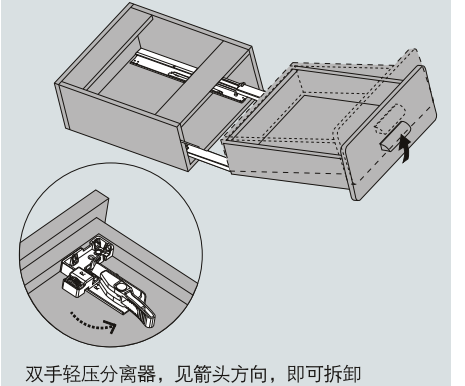


抽屉安装与调节 Installation of the drawer and adjustment



抽屉可通过调节块来调节高度2mm
The drawer can be adjusted 2mm vertically through the plastic adjustable parts

抽屉拆卸 Removal of the drawer



双手轻压分离器, 见箭头方向, 即可拆卸
Press the locking device with your hands softly in the direction of the arrow, then remove the drawer