

WARDROBE TOP RACK

星享·顶装裤架



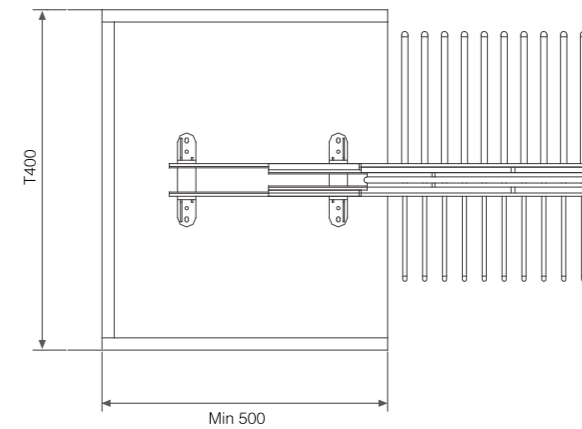


TROUSERS RACK 星享裤架

产品图 PRODUCTS



结构尺寸 DIMENSION



产品特点 CHARACTERISTICS

定制双阻尼导轨结构，顶部安装，单排防滑裤管；
首创超快安装结构，区别于传统产品；
兼顾了整个产品的高档次，快安装和实用性。

Customized double damping guide rail structure, top mounted, single row non-slip pant;
First super fast installation structure, different from traditional products;
Take into account the entire product of the high-grade, fast installation and practicality.

产品参数 PARAMETERS

型号/Model	品名/ Name	宽x深x高/ WidthxDepthxHeight	适用柜体/Suitable cabinet
SHKJ00010DD	高档阻尼顶装单裤架	360 x 470 x 105mm	不小于550mm