

N3R1C-T 三节隐藏式反弹滑轨

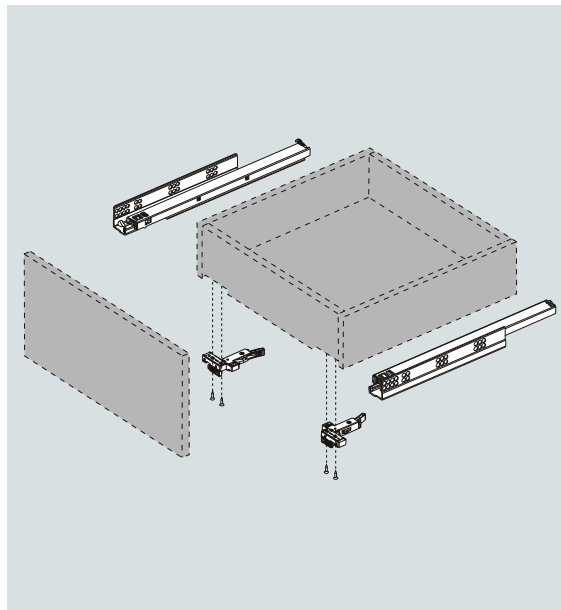
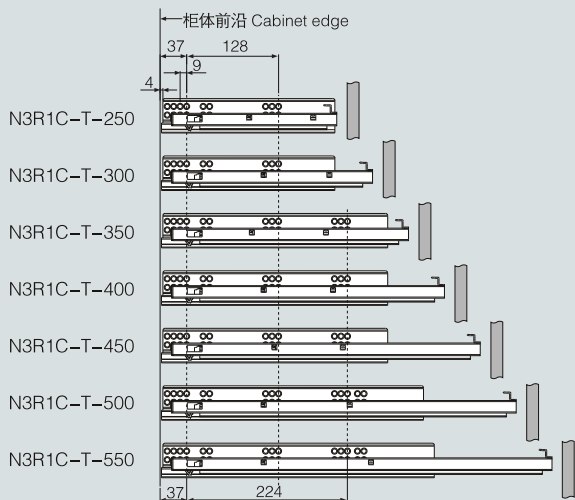
Push-open Concealed Full Extension Slide



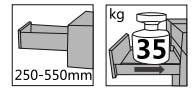
四方位分离器 4 Directions Locking Device

- 隐藏式、全拉出、反弹式
- 载重: 35kg
- 材料: 镀锌板
- 材料厚度(上、中、下)轨: 1.0x1.5x1.8mm
- 无需工具, 抽屉可快速安装与拆卸
- **2mm的反弹触发空间,任意位置按压抽屉即可开启、关闭**
- Push-open concealed full extension slide
- Dynamic load capacity: 35kg
- Material: galvanized steel
- Material thickness: 1.0x1.5x1.8mm
- Tool-free quick installation
- **2mm space required for the push to open, Press the drawer in any position to open and close it**

柜体滑轨安装孔尺寸 Hole pattern

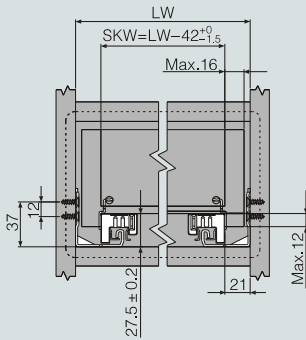


产品型号 Item No.	标称长度NL (mm) Nominal length	拉出长度 (mm) Travel length	最小柜深LT (mm) (外抽 / 内抽) Min cabinet depth (Standard / Inner)	包装(套/箱) Packing (Set/Box)
N3R1C-T-250	250	229	260 / 260+X	10
N3R1C-T-300	300	279	310 / 310+X	10
N3R1C-T-350	350	329	360 / 360+X	10
N3R1C-T-400	400	379	410 / 410+X	10
N3R1C-T-450	450	429	460 / 460+X	10
N3R1C-T-500	500	479	510 / 510+X	10
N3R1C-T-550	550	529	560 / 560+X	10



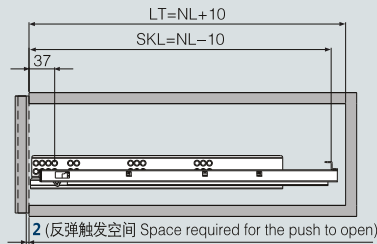
柜体所需空间 Space required

SKW: 抽屉净宽 Drawer width
LW: 柜体净宽 Inside net width
Max.: 最大尺寸



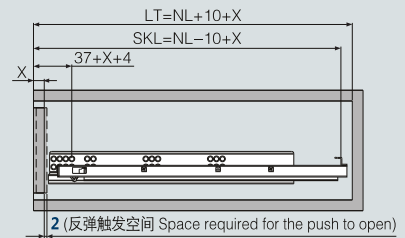
外置抽屉 Standard drawer

NL: 标称长度 Nominal length
SKL: 抽屉长度 Length of drawer
LT: 最小柜深 Min cabinet depth



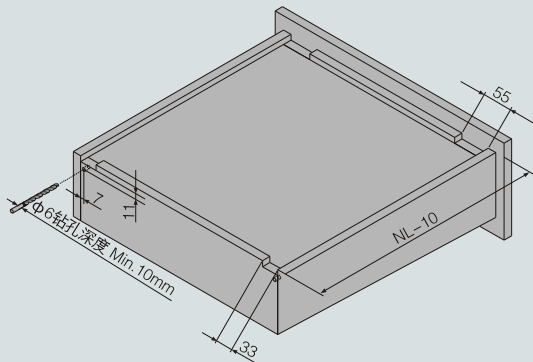
内置抽屉 Inner drawer

NL: 标称长度 Nominal length
SKL: 抽屉长度 Length of drawer
LT: 最小柜深 Min cabinet depth
X: 面板厚度 Thickness of the front panel



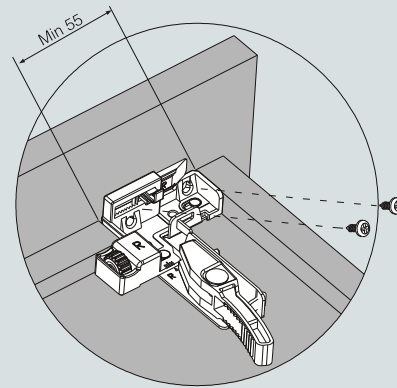
抽屉后板开槽打孔尺寸 Hole size on rear panel of the drawer

NL: 标称长度 Nominal length
Min.: 最小尺寸



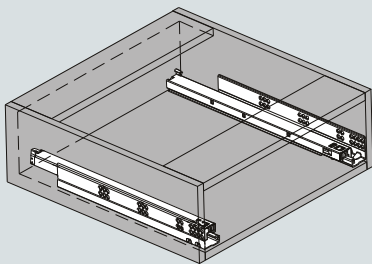
分离器安装 Installation of the locking device

Min.: 最小尺寸

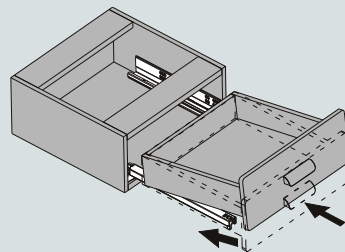


装卸调试步骤说明 Installation instruction

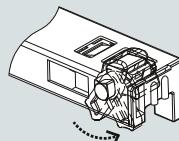
滑轨安装 Installation of the slides



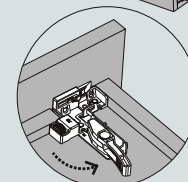
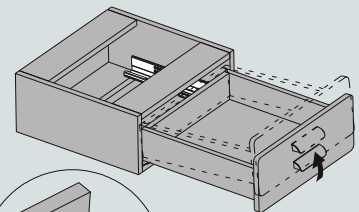
抽屉安装与调节 Installation of the drawer and adjustment



抽屉可通过调节块来调节高度2mm
The drawer can be adjusted 2mm vertically through the plastic adjustable parts



抽屉拆卸 Removal of the drawer



双手轻压扣把, 见箭头方向, 即可拆卸
Press the connect handle with your hands softly in the direction of the arrow, then remove the drawer